

# Standard Centrifugal Pump



## Model 64K31-B

### Size 6" x 4"

#### PUMP SPECIFICATIONS

**Size:** 6" x 4" (152 mm x 102 mm) Flanged.

**Casing:** Ductile Iron 65-45-12.

Maximum Casing Pressure 260 psi (1793 kPa).\*

Maximum Operating Pressure 250 psi (1723 kPa) at Temperatures up to 100°F (37°C) Based on System Component Limitations.\*

**Enclosed Type, Five Vane Impeller:** Aluminum Alloy 356-T6.  
Handles 1/2" (12,7 mm) Diameter Spherical Solids.

**Impeller Shaft:** Carbon Steel 1045.

**Bearing Housing:** Ductile Iron 65-45-12.

**Radial Bearing:** Open Double Row Ball.

**Thrust Bearing:** Open Single Row Ball.

**Bearing Lubrication:** SAE 30 Non-Detergent Oil.

**Body Cover:** Ductile Iron 65-45-12.

**Gaskets:** Vegetable Fiber and Cork.

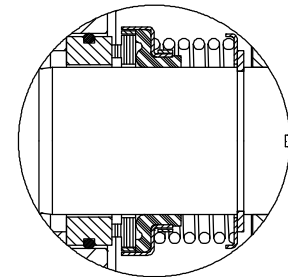
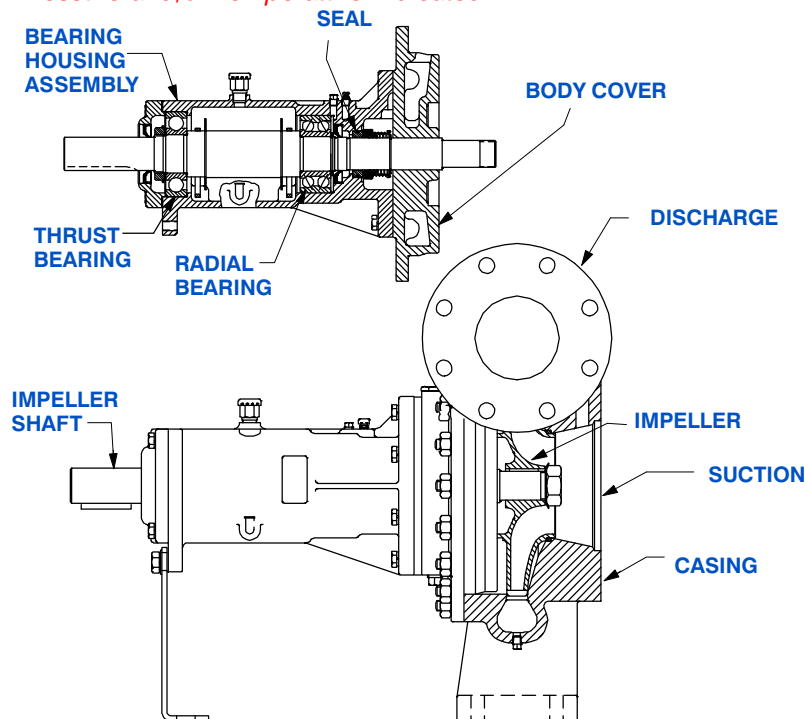
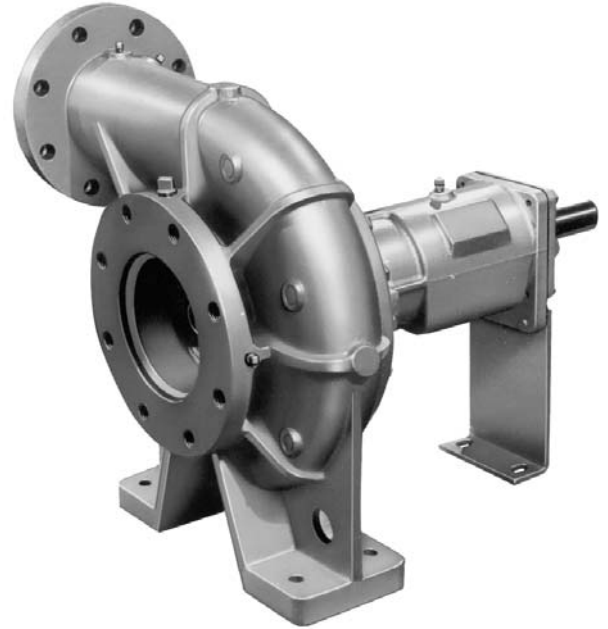
**Hardware:** Standard Plated Steel.

**Optional Equipment:** Stainless Steel 416 Impeller Shaft.

PTFE Seal with Fluorocarbon O-Ring.

PTFE Seal with Buna-N O-Ring.

*\*Consult Factory for Applications Exceeding Maximum Pressure and/or Temperature Indicated.*



#### SEAL DETAIL

Type 21, Mechanical Self-Lubricated. Carbon Rotating Face. Ni-Resist Stationary Face. Fluorocarbon Elastomers (DuPont Viton® or Equivalent). Stainless Steel 18-8 Cage and Spring. Maximum Temperature of Liquid Pumped, 160°F (71°C).\*



### GORMAN-RUPP PUMPS

www.grpumps.com

Specifications Subject to Change Without Notice

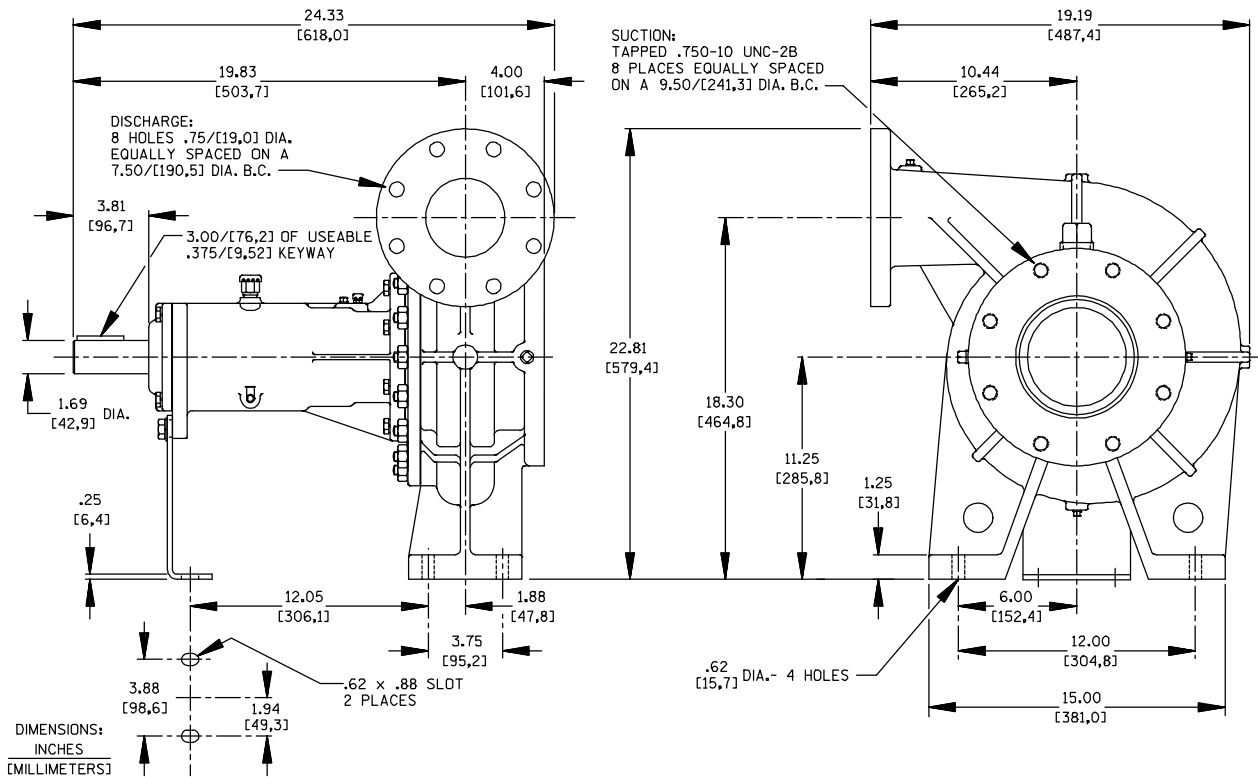
Printed in U.S.A.

**Specification Data**

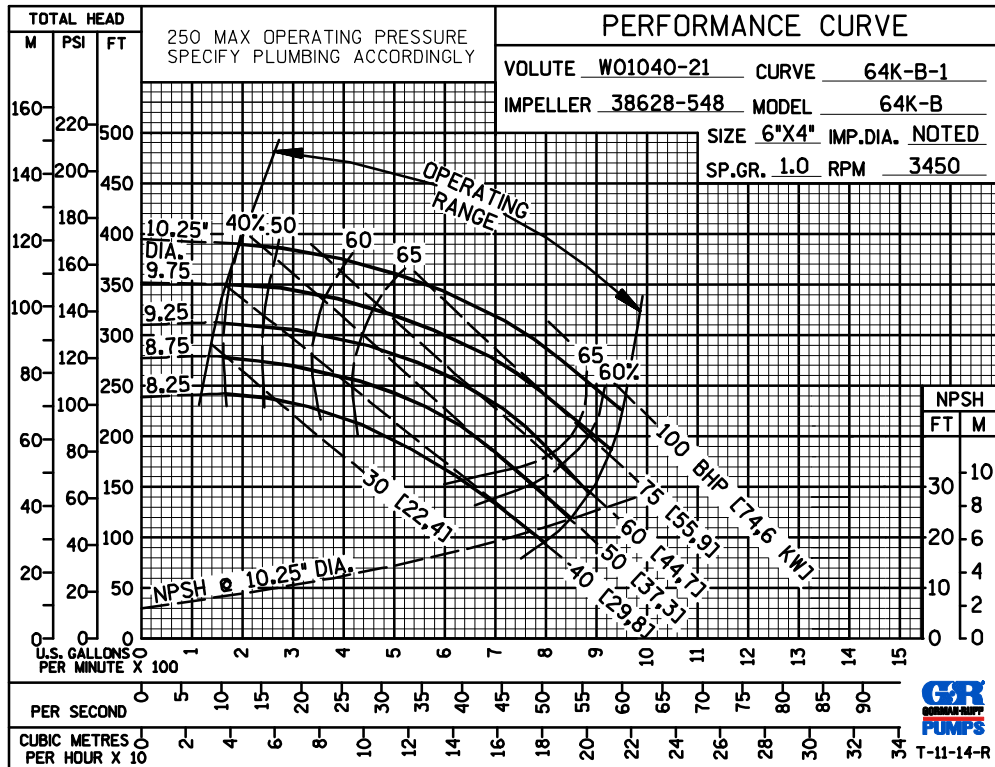
**NET WEIGHT:** 298 LBS. (135,2 KG.)  
**SHIPPING WEIGHT:** 313 LBS. (142,0 KG.)  
**EXPORT CRATE:** 14.6 CU. FT. (0,41 CU. M.)

APPROXIMATE  
 DIMENSIONS and WEIGHTS

SECTION 70, PAGE 875



**60 HERTZ  
 PERFORMANCE  
 BASED ON  
 WATER  
 TRIMMED  
 IMPELLER**



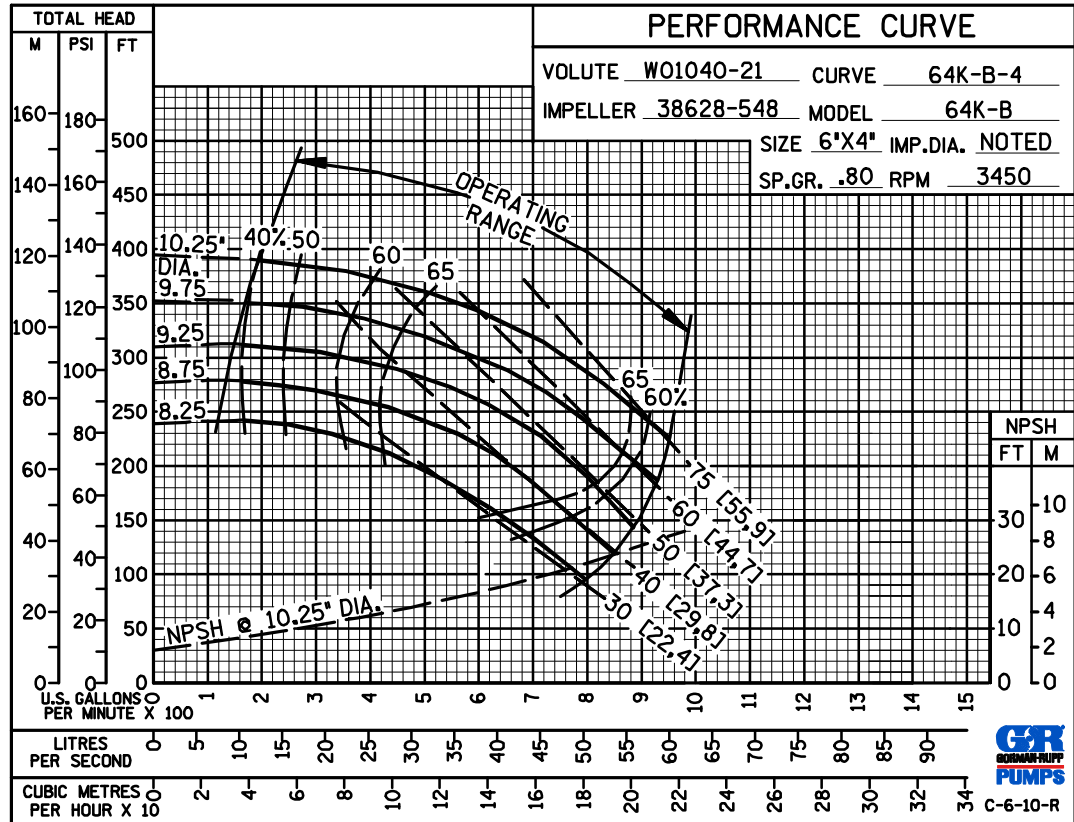
**GORMAN-RUPP PUMPS**

www.grpumps.com

Specifications Subject to Change Without Notice

Printed in U.S.A.

**60 HERTZ  
PERFORMANCE  
BASED ON  
PETROLEUM  
TRIMMED  
IMPELLER**



**GORMAN-RUPP PUMPS**

www.grpumps.com

Specifications Subject to Change Without Notice

Printed in U.S.A.