

Basic

Standard Centrifugal Pump



Model 63D31-B

Size 4" x 3"

PUMP SPECIFICATIONS

Size: 4" x 3" (102 mm x 76 mm) Flanged.

Casing: Ductile Iron 65-45-12.

Maximum Operating Pressure 90 psi (621 kPa).*

Enclosed Type, Five Vane Impeller: Aluminum Alloy 356-T6.
Handles 3/8" (9,5 mm) Diameter Spherical Solids.

Impeller Shaft: Carbon Steel 1045.

Bearing Housing: Ductile Iron 65-45-12.

Bearing Housing Lubrication: Grease.

Body Cover: Ductile Iron 65-45-12.

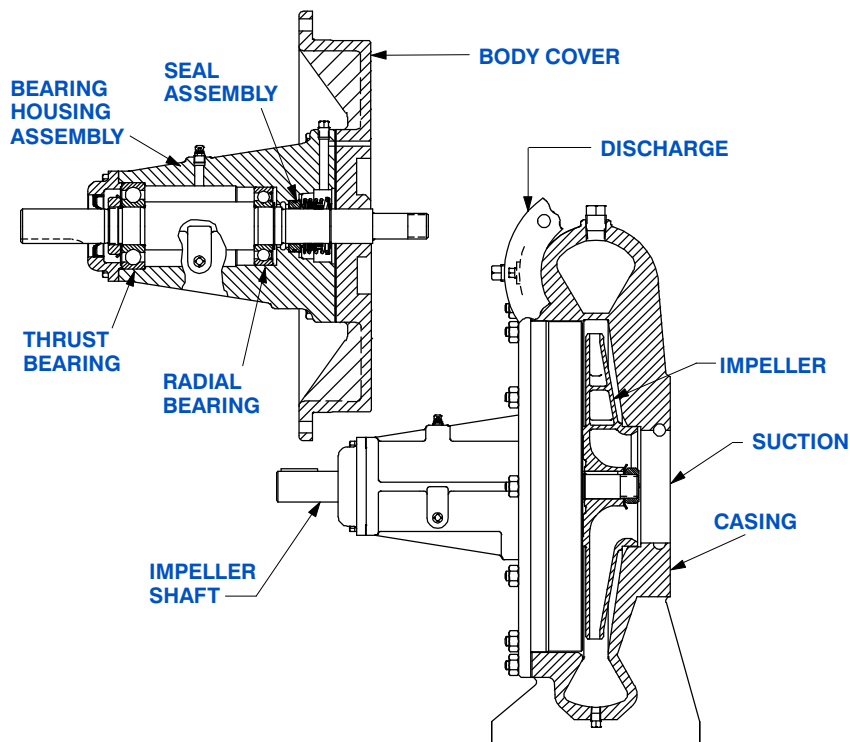
Radial and Thrust Bearings: Sealed Single Row Ball.

Gaskets: Vegetable Fiber and Cork.

Hardware: Standard Plated Steel.

Optional Equipment: 150# Steel 4" NPT Suction and 3" NPT Discharge Flange Kit. Copper Alloy C93400 Impeller. Stainless Steel 416 Impeller Shaft. PTFE Seal with Fluorocarbon O-Ring. PTFE Seal with Buna-N O-Ring.

**Consult Factory for Applications Exceeding Maximum Pressure and/or Temperature Indicated.*



SEAL DETAIL

Type 2, Mechanical Self-Lubricated. Carbon Rotating Face. Ni-Resist Stationary Face. Fluorocarbon Elastomers (DuPont Viton® or Equivalent). Stainless Steel 18-8 Cage and Spring. Maximum Temperature of Liquid Pumped, 160°F [71°C].*



GORMAN-RUPP PUMPS

www.grpumps.com

Specifications Subject to Change Without Notice

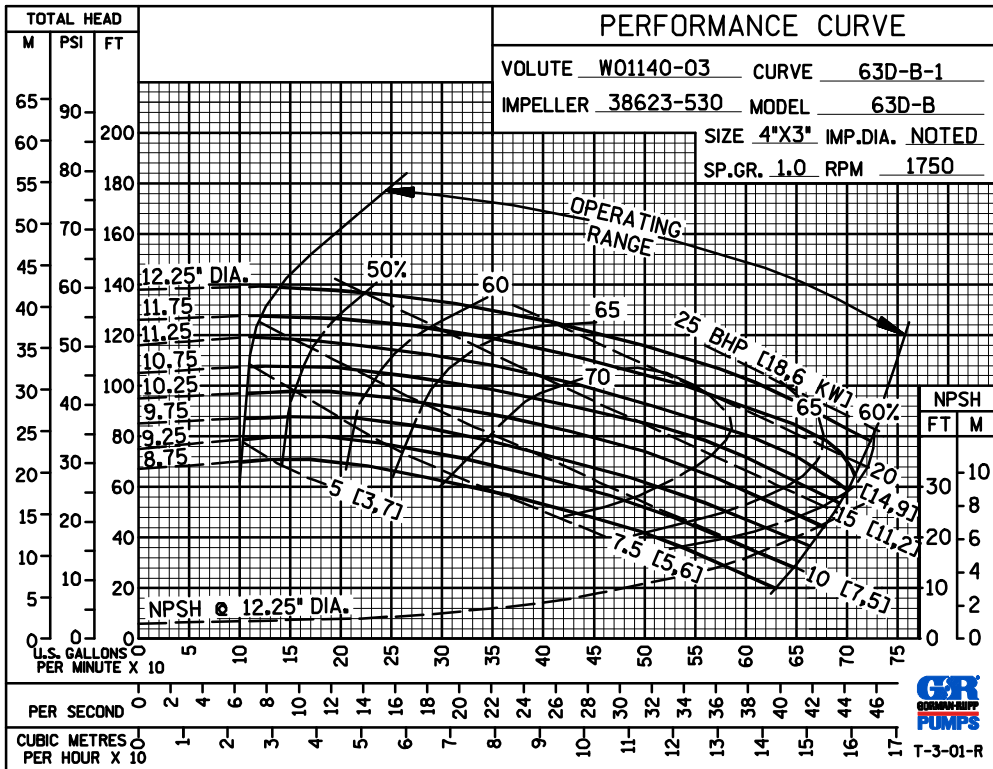
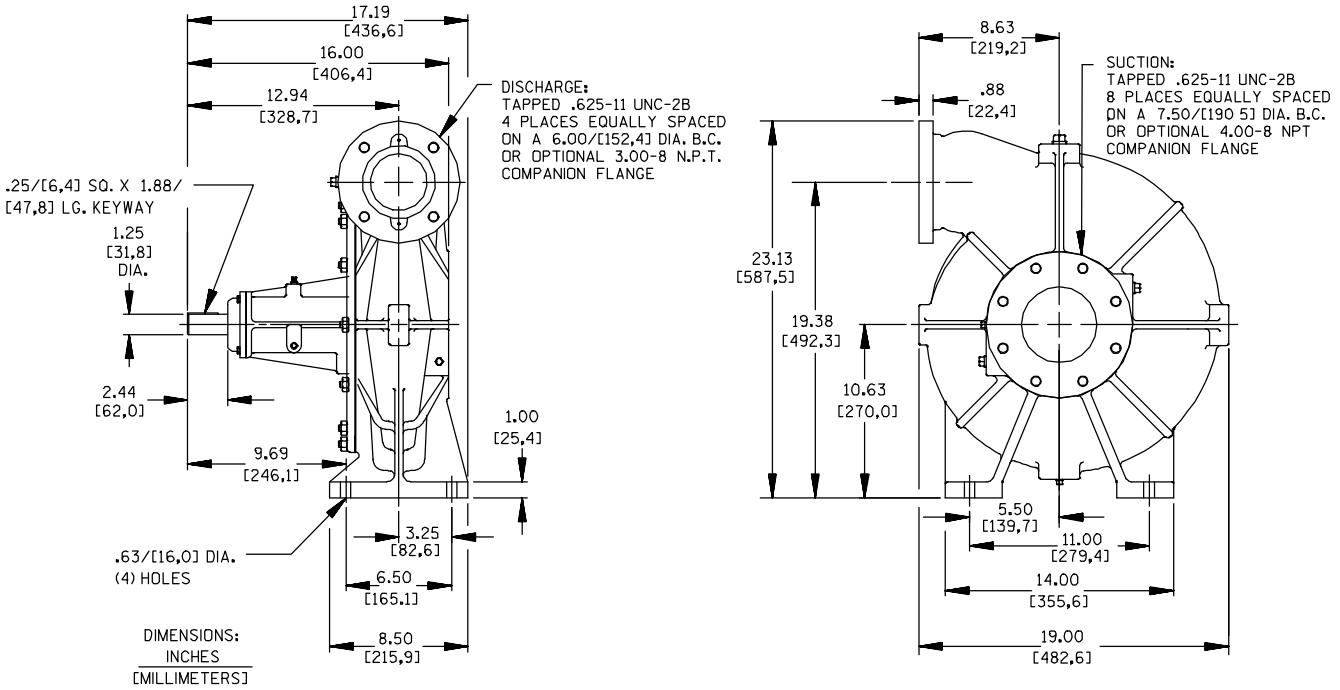
Printed in U.S.A.

Specification Data

SECTION 70, PAGE 450

APPROXIMATE
DIMENSIONS and WEIGHTS

NET WEIGHT: 218 LBS. (98,9 KG.)
SHIPPING WEIGHT: 233 LBS. (105,7 KG.)
EXPORT CRATE: 11.9 CU. FT. (0,33 CU. M.)



GORMAN-RUPP PUMPS

www.grpumps.com

Specifications Subject to Change Without Notice

Printed in U.S.A.