



SERIES 130

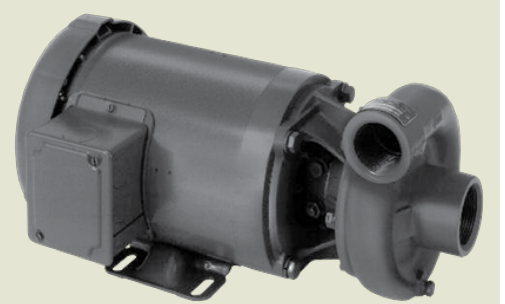
2" x 1-1/2" End Suction Centrifugal Pump

SERIES 130 high volume centrifugal pumps are close-coupled to standard NEMA "C" face motors. Open adaptor protects motor. All models are available in cast iron, bronze or aluminum construction to suit a wide variety of liquids.

All fasteners are stainless steel to reduce corrosion. Impellers are dynamically balanced to improve efficiency and bearing life.

Standard carbon / ceramic / Viton mechanical seal is self-adjusting and corrosion resistant to handle almost any liquid.

Completely tested "Wet End" PumPAKs are available with or without motors and can be mounted to standard "C" frame motors in just minutes.



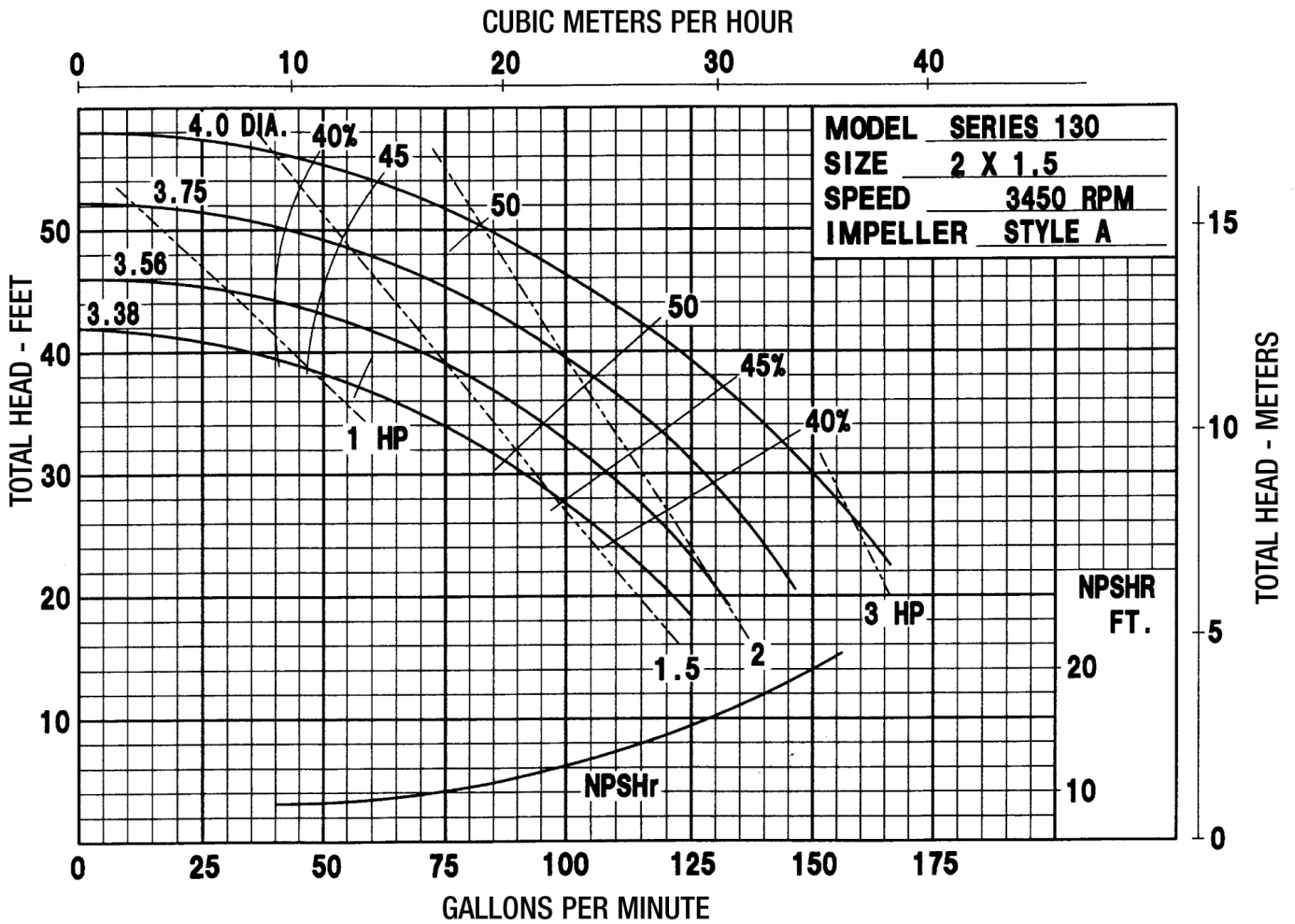
Application

- Agricultural
- Commercial
- Industrial
- OEM

SPECIFICATIONS:

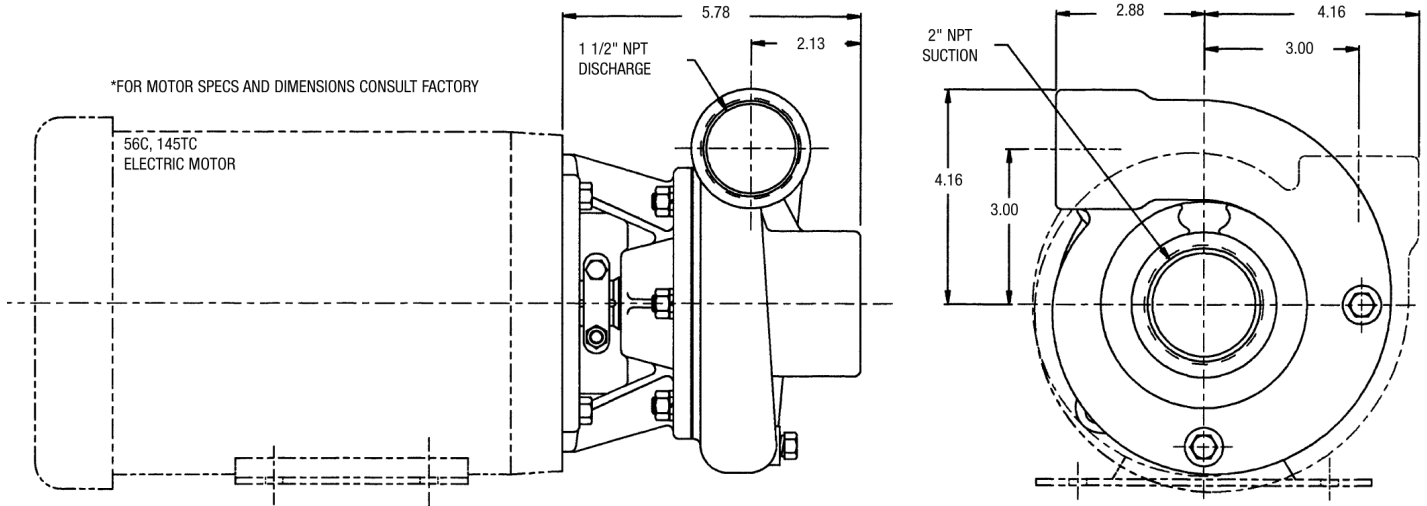
Suction And Discharge	2" x 1-1/2" NPT
Materials Of Construction	Bronze, Cast iron
Flow	Up to 160 GPM
Head Feet	Up to 60'
Impeller	4" semi-open
Motor	Up to 3 HP
Drive Options	Close coupled 56C, Hydraulic motor .37 cu. in., Close coupled 184C, Pedestal, PumPAK® (without motor)
Seal	Special seal material combinations available (consult factory), Standard carbon / ceramic / Viton
Max Solid Size	.53"

SERIES 130



34800 BENNETT - FRASER, MI 48026-1686
 (586) 293-8240 - FAX (586) 293-8469
 (800) 563-8006 - www.mppumps.com

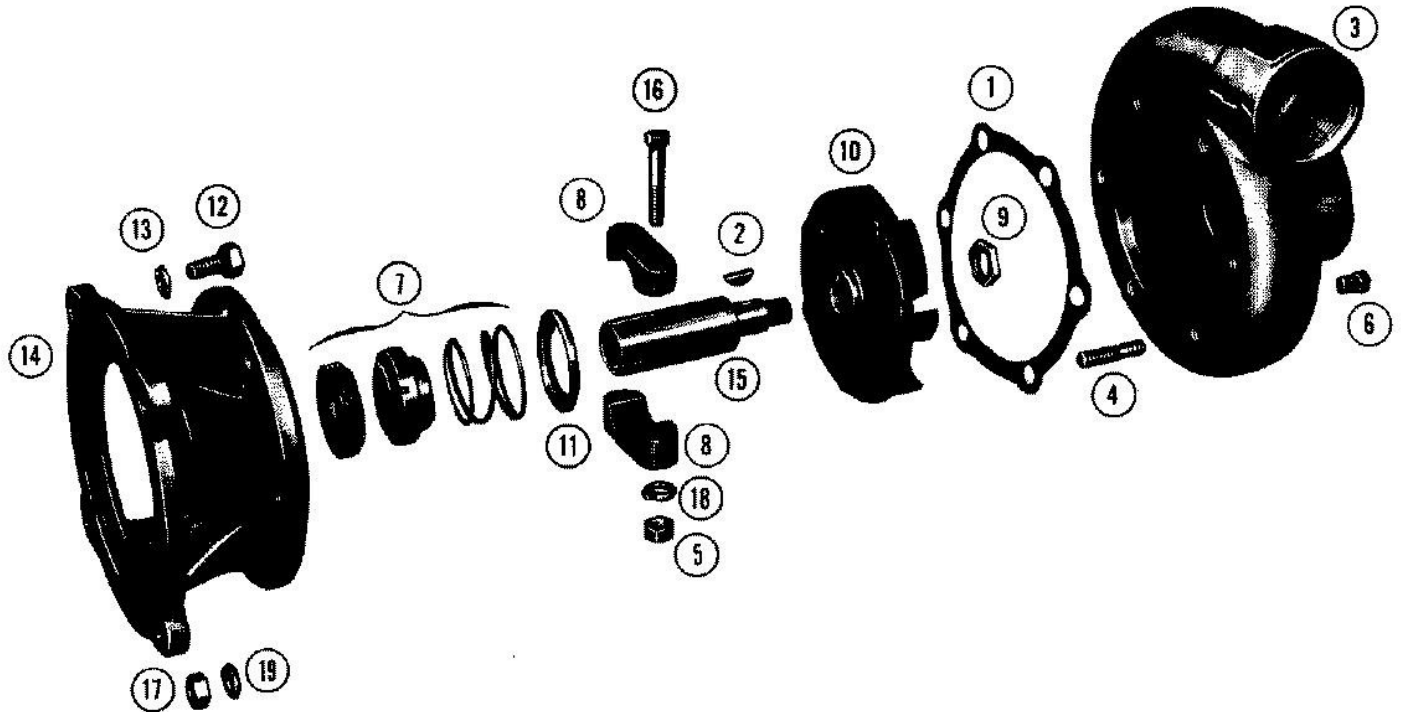
SERIES 130



MP PUMPS SERVICE PARTS LIST

- Straight Centrifugal
- Electric Motor Drive
- Pumpak
- Mechanical Seal

Series 130
2" x 1½" Pipe Size



IMPORTANT: When ordering parts, specify model and serial number shown on nameplate.

ITEM NO.	PART NO.	DESCRIPTION	QUANTITY REQUIRED PER MODEL			
			ROTATION	ALL MODELS LISTED ARE RIGHT HAND		
			PIPE SIZE	2" x 1-1/2"	2" x 1-1/2"	2" x 1-1/2"
			METAL	CAST IRON	ALUMINUM	BRONZE
			MODEL NOS.	23225	23223	23224
				23228	23226	23227
				23231	23229	23230

HOUSING

	22930	Housing Assembly - Inc.	1		
3		Housing - Cast Iron	1		
4	21243	Stud - S.S. - 5/16"	6		
6	21255	Pipe Plug - S.S. - 1/8" NPT	2		
	22928	Housing Assembly - Inc.:		1	
3		Housing - Aluminum		1	
4	21243	Stud - S.S. - 5/16"		6	
6	21255	Pipe Plug - S.S. - 1/8" NPT		1	
17	21244	Hex Nut - S.S. - 5/16"	6	6	
19	21238	Lockwasher - S.S. - 5/16"	6	6	
	22929	Housing Assembly - Inc.			1
3		Housing - Bronze			1
4	21150	Stud - Br. - 5/16"			6
6	21185	Pipe Plug - Bronze - 1/8" NPT			1
17	21179	Hex Nut - Br. - 5/16"			6
19	21184	Washer - Br.			6
1	21149	Gasket	1	1	1



MP PUMPS

DIVISION OF TECUMSEH PRODUCTS CO.

34800 Bennett Dr. Fraser, MI 48026
(313) 293-8240 TLX: 358-238

FAX: (313) 293-8469

FORM 7018-B

PRINTED IN U.S.A.



34800 BENNETT - FRASER, MI 48026-1686
(586) 293-8240 - FAX (586) 293-8469
(800) 563-8006 - www.mppumps.com

ITEM NO.	PART NO.	DESCRIPTION	QUANTITY REQUIRED PER MODEL			
			ROTATION	ALL MODELS LISTED ARE RIGHT HAND		
			PIPE SIZE	2" x 1-1/2"	2" x 1-1/2"	2" x 1-1/2"
			METAL	CAST IRON	ALUMINUM	BRONZE
			23225	23223	23224	
			23228	23226	23227	
			23231	23229	23230	

IMPELLER

10	22626	Impeller - 4" Dia. - C.I. - (Model 23231)	1		
10	22626	Impeller - 4" Dia. - Alum. - (Model 23229)		1	
10	22627	Impeller - 4" Dia. - Bronze - (Model 23230)			1
10	22675	Impeller - 3-9/16" Dia. - C.I. - (Model 23225 & 23228)	1		
10	22673	Impeller - 3-9/16" Dia. - Alum. - (Model 23223 & 23226)		1	
10	22674	Impeller - 3-9/16" Dia. - Bronze - (Model 23224 & 23227)			1
15	22677	Drive Sleeve, 7/8" Dia. shaft (Models 23223, 23224, 23225, 23229, 23230 and 23231)	1	1	1
15	22676	Drive Sleeve, 5/8" Dia. shaft (Models 23226, 23227 and 23228)	1	1	1
2	21163	Impeller Drive Key - S.S. - #6	1	1	1
9	22621	Impeller Locknut - S.S. - 1/2"	1	1	
9	22629	Impeller Locknut - Br. - 1/2"			1

SEAL

7	22272	Seal Assembly Inc.	1	1	1
11	22133	Seal Spring Retainer	1	1	1

CLAMP

	23002	Clamp Assembly for 5/8" Shaft (Models 23226, 23227 & 23228)	1	1	1
8		Clamp	2	2	2
16	21264	Capscrew - S.S. - 5/16"	2	2	2
5	21284	Hex Nut - S.S. - 5/16"	2	2	2
18	21238	Lockwasher - S.S. - 5/16"	2	2	2
	23003	Clamp Assembly for 7/8" Shaft (Models 23223, 23224, 23225, 23229, 23230 & 23231)	1	1	1
8		Clamp	2	2	2
16	21264	Capscrew - S.S. - 5/16"	2	2	2
5	21284	Hex Nut - S.S. - 5/16"	2	2	2
18	21238	Lockwasher - S.S. - 5/16"	2	2	2

ADAPTOR

14	22671	Adaptor - Cast Iron	1		
14	22669	Adaptor - Aluminum		1	
14	22670	Adaptor - Bronze			1
12	21251	Capscrew - S.S. - 3/8"	4	4	4
13	21266	Lockwasher - S.S. - 3/8"	4	4	4



MP PUMPS

DIVISION OF TECUMSEH PRODUCTS CO.

34800 Bennett Dr. Fraser, MI 48026
(313) 293-8240 TLX: 358-238

FAX: (313) 293-8469

FORM 7018-B

PRINTED IN U.S.A.



34800 BENNETT - FRASER, MI 48026-1686
(586) 293-8240 - FAX (586) 293-8469
(800) 563-8006 - www.mppumps.com