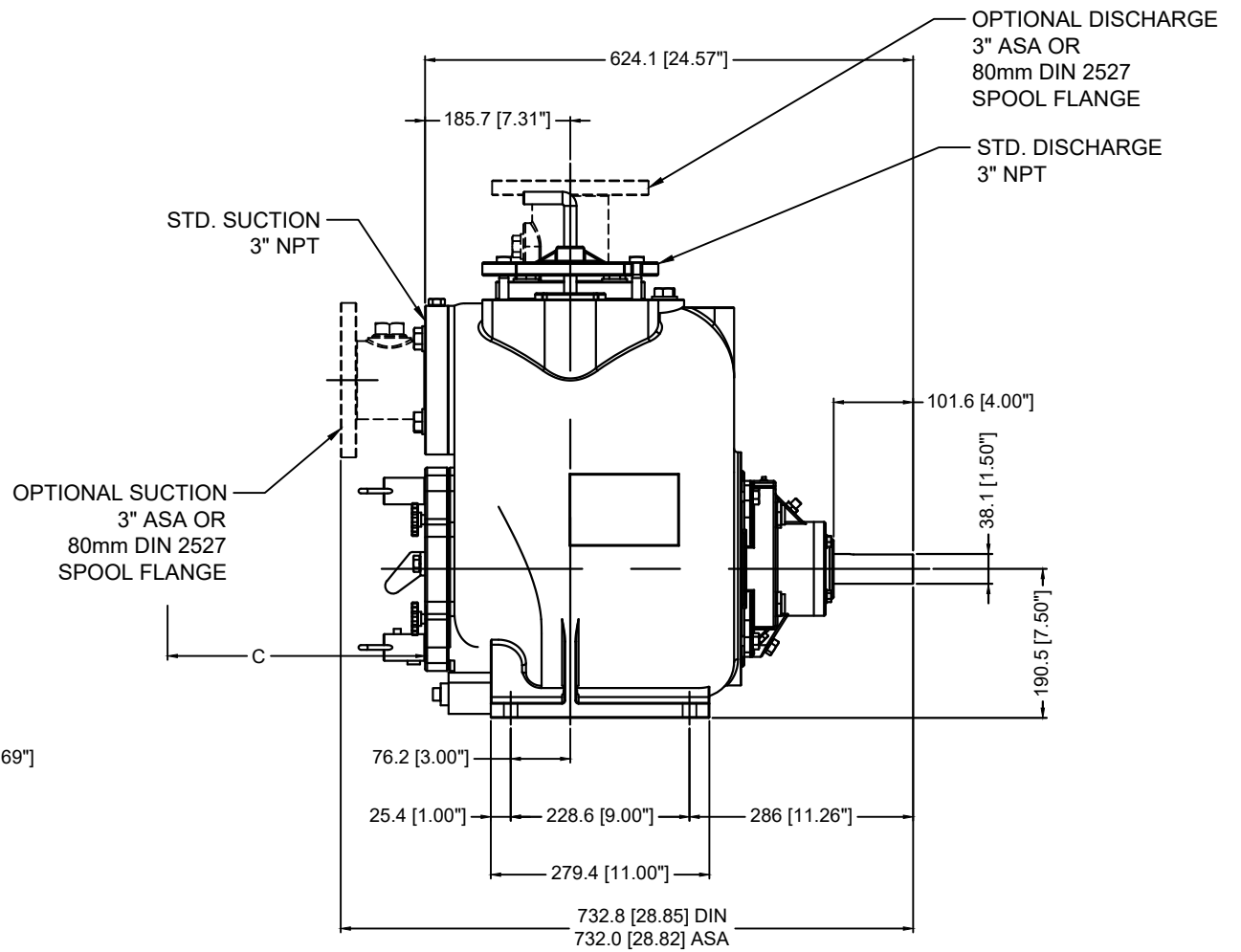


SHAFT DETAIL



GENERAL ARRANGEMENT, WEIGHTS
KST 3
3" SUCTION / 3" DISCHARGE
SELF PRIMING TRASH PUMP

DRAWING NBR.: A6300

REV.: 0

EFFECTIVE DATE : 22 JAN 2018



WEIGHT (lbs.)	WEIGHT (kg)
404	183

NOTES:

1. APPROXIMATE DIMENSIONS AND WEIGHTS

2. MM [INCHES]

3. C - 457.2 [18"] CLEARANCE RECOMMENDED